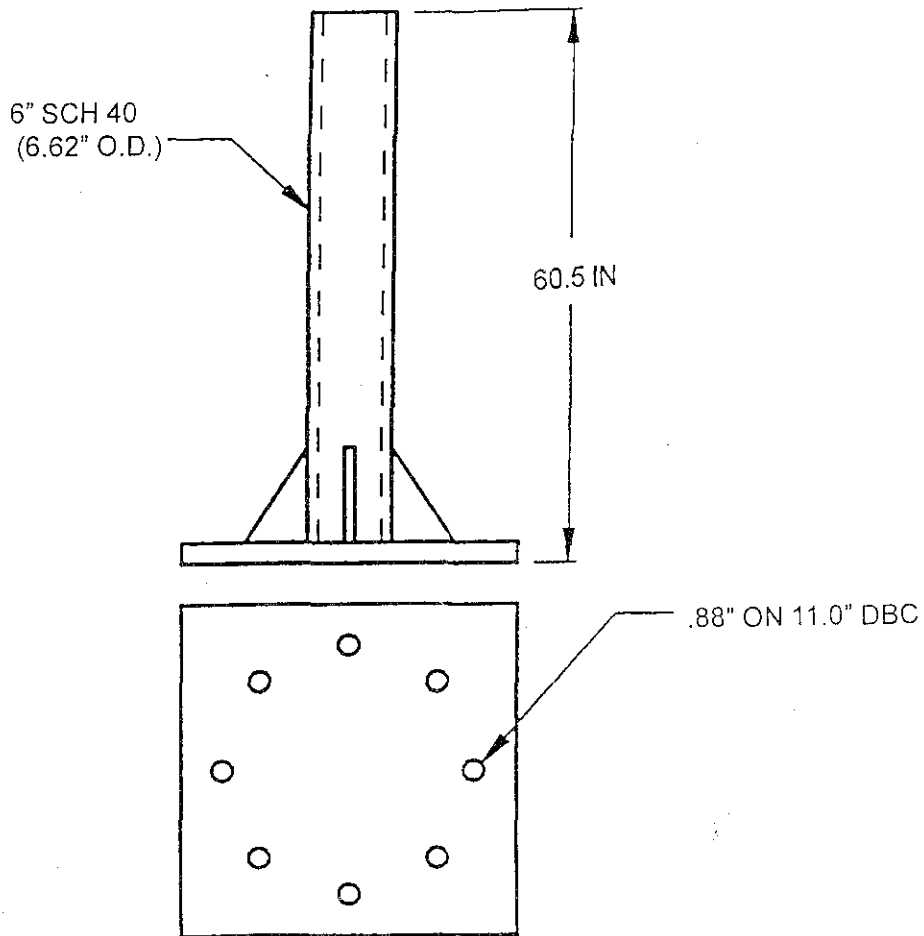
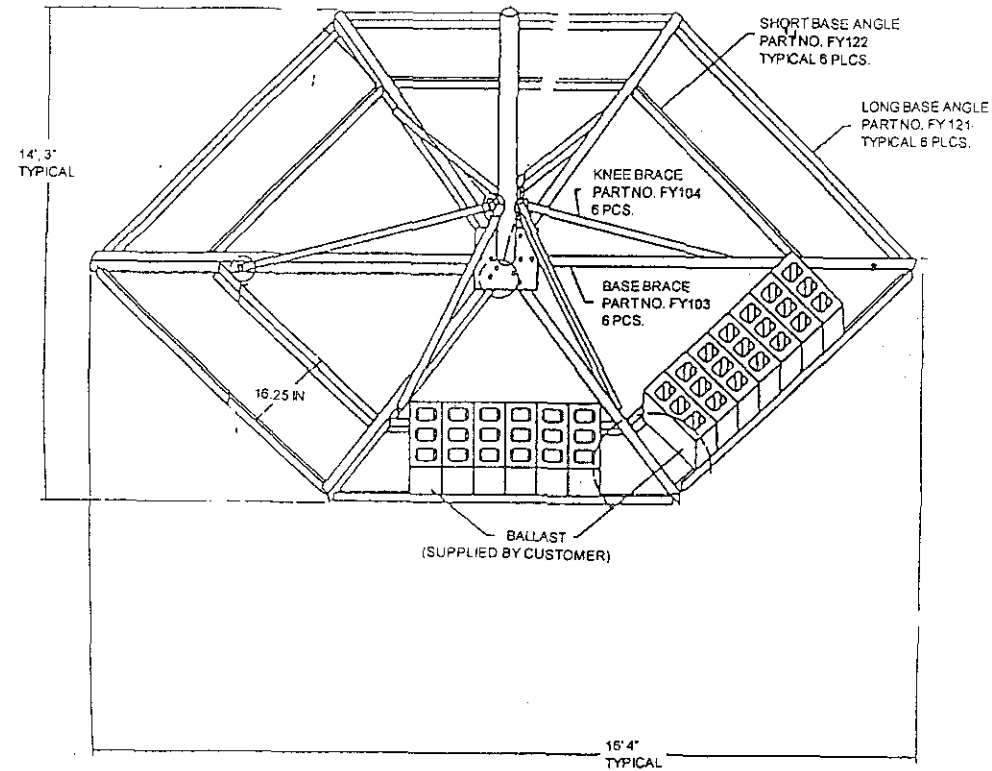


PEDESTAL MOUNT



- * Part Number 0800-490
- * 6.62 in. O.D. Mast Pipe Size
- * 125 MPH Wind Survival

AAGM-NPMM



- * Part Number 0800-377 with pads
- * Part Number 0800-951 without pads
- * 6.62 in. O.D. Mast Pipe Size
- * 125 MPH Wind Survival based on 30ft. above ground, exposure B



2.4M Offset Mounts used with Series 1251